

200

DC Fan Series

x200x60mm

UL us CE RoHS

Optional Features



GENERAL SPECIFICATIONS

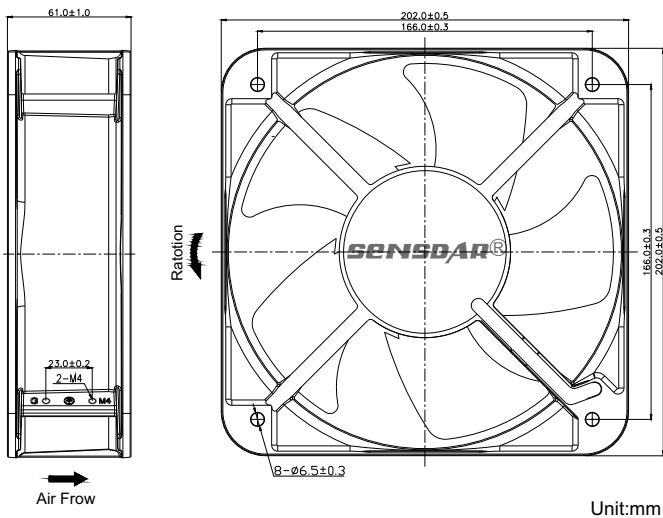
Bearing Type: Ball Bearing
 Material: Impeller: Plastic; Frame: Aluminum Alloy
 Lead Wire: UL Type
 Operation Temperature: -10°C~70°C, 35%~85%RH
 Storage Temperature: -40°C~80°C, 35%~85%RH



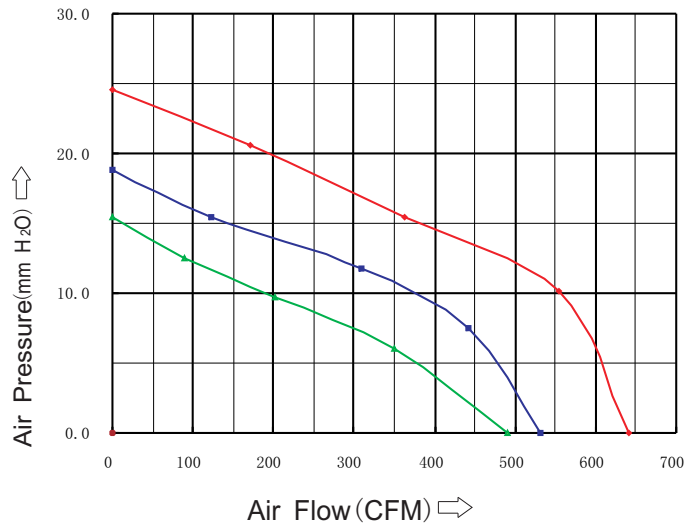
SPECIFICATIONS

Model	Bearing System		Rated Voltage	Operation Voltage	Rated Current	Rated Speed	Air Flow	Air Pressure	Noise Level	Weight
	Ball	Sleeve	VDC	VDC	A	RPM	CFM	mmH ₂ O	dBA	g
SD20060H1B	●		12.0	7.0~13.8	3.50	3000	640.0	24.6	68	1032
SD20060M1B	●				2.80	2500	532.0	18.8	58	
SD20060L1B	●				2.00	2000	490.0	15.5	50	
SD20060H2B	●		24.0	15.0~27.6	2.00	3000	640.0	24.6	68	
SD20060M2B	●				1.50	2500	532.0	18.8	58	
SD20060L2B	●				1.00	2000	490.0	15.5	50	
SD20060H4B	●		48.0	24.0~55.2	1.20	3000	640.0	24.6	68	
SD20060M4B	●				0.80	2500	532.0	18.8	58	
SD20060L4B	●				0.50	2000	490.0	15.5	50	

DIMENSIONS DRAWING



P&Q CURVE (AT RATED VOLTAGE)



Note:

- *All readings are typical values at rated voltage.
- *Specifications are subject to change without prior notice.
- *"X" in model list can be B, S, and C, meaning Dual Ball Bearing, Sleeve Bearing and 1 Ball 1 Sleeve Bearing